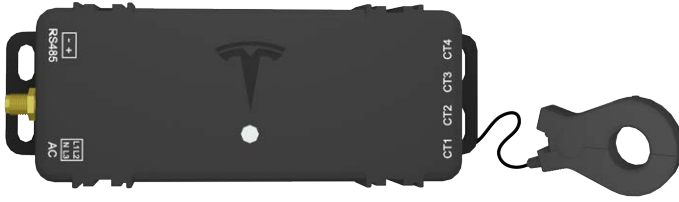




# TESLA REMOTE METER SPECIFICATIONS



## Tesla Remote Meter Specifications

<b>Model Number</b>	2002069-xx-y (included in Tesla Remote Meter Kit with (1) 200 A CT, Tesla P/N 2083765-xx-y)
<b>Accuracy</b>	0.5%
<b>Nominal AC Voltage</b>	230 VAC <sup>1</sup>
<b>AC Frequency</b>	50 - 60 Hz
<b>Maximum Power Consumption</b>	3 W
<b>Compatible CTs</b>	Tesla 200 A CTs (see <a href="#">Tesla 200 A CT Specifications on page 3</a> ) Tesla 800 A CTs (see <a href="#">Tesla 800 A CT Specifications on page 4</a> )
<b>Connection Method</b>	Wireless: Wi-Fi <sup>2, 4</sup> Wired: RS-485 (RS485) harness (1.2 m) <sup>3, 4</sup>
<b>Overcurrent Protection Device (OCPD)</b>	Maximum 16 A
<b>Dimensions</b>	145 x 52 x 31 mm
<b>Ambient Operating Temperature</b>	-30°C to 70°C
<b>Conforms to</b>	UL 61010-1, CSA C22.2 No. 61010-1, IEC/EN 61010-1, ANSI C12.1, IEC 62052-11, IEC 62053-21
<b>Supported Applications</b>	Site, Solar, Generator, Conductor
<b>Compatible Grid Types</b>	1 $\phi$ L1-N, 3 $\phi$ L1-L2-L3-N Wye <sup>5</sup>

<sup>1</sup> Voltage harness (600 mm) is included in the Tesla Remote Meter kit. If additional length is required, the voltage harness can be extended using 1.5 - 6 mm<sup>2</sup> AC wiring. To maintain accuracy, keep the meter within 61 m of its breaker when using 2.5 mm<sup>2</sup> wire.

<sup>2</sup> An external Wi-Fi antenna and antenna extension cable are included in the Tesla Remote Meter kit. When using Wi-Fi as the connection method, remote meters placed inside of load centers can be subject to signal interference, especially when a panel cover is installed. For best performance, where possible, use the included external antenna and the antenna extension cable to extend the external antenna.


<sup>3</sup> If the RS-485 harness length is not sufficient, 0.2 - 1.5 mm<sup>2</sup> communication wiring can be used to extend the length up to a maximum of 100 m.



## TESLA REMOTE METER SPECIFICATIONS

<sup>4</sup> A site can have a maximum of three Tesla Remote Meters: one connected via RS-485 and up to two connected via Wi-Fi.

<sup>5</sup> Connection to L1 and Neutral is always required.

 **NOTE:** Tesla Remote Meter accessories are only compatible with Tesla Remote Meter. Do not attempt to use Neuroio meter accessories, or any other meter accessories, with Tesla Remote Meter.



# TESLA REMOTE METER SPECIFICATIONS

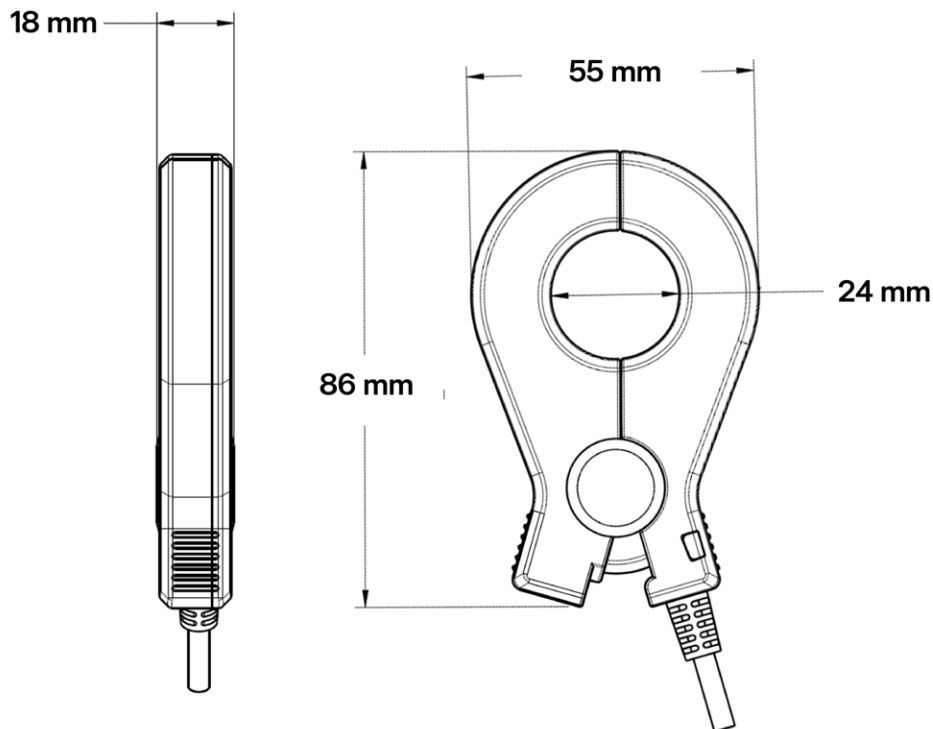
## Tesla 200 A CT Specifications

<b>Model Number</b>	2033376-00-x
<b>Capacity</b>	200 A
<b>Insulation Rating</b>	600 V
<b>Lead Length</b>	1.5 m <sup>6</sup>
<b>Optional Extension</b>	3.5 m (Tesla P/N 2060713-xx-y) <sup>7</sup>
<b>Optional Y-Splitter</b>	Not available
<b>Dimensions (L, W, H)</b>	86 x 55 x 18 mm
<b>Window Size</b>	24 mm
<b>Operating Temperature</b>	-30°C to 85°C

<sup>6</sup> If the CT lead length is not sufficient, do not splice the CT leads. Up to (2) CT extensions can be used to extend the length to a maximum of 8.5 m (1.5 m CT lead + 3.5 m extension + 3.5 m extension).

<sup>7</sup> Extension is not included in the Tesla Remote Meter kit; it can be ordered individually.


Figure 1. Tesla 200A CT Dimensions





# TESLA REMOTE METER SPECIFICATIONS

## Tesla 800 A CT Specifications

<b>Model Number</b>	2302437-xx-y
<b>Capacity</b>	800 A
<b>Current Range</b>	0 - 1000 A
<b>Insulation Rating</b>	600 V
<b>Lead Length</b>	1.5 m
<b>Optional Extension</b>	3.5 m (Tesla P/N 2060713-xx-y)
	 <b>NOTE:</b> CT leads cannot be spliced. Use only up to (2) CT extensions for a maximum lead length of 8.5 m (1.5 m lead + 3.5 m extension + 3.5 m extension).
<b>Optional Y-Splitter</b>	Not available
<b>Dimensions (L, W, H)</b>	126 x 124 x 44 mm
<b>Window Size</b>	50 x 60 mm
<b>Operating Temperature</b>	-40°C to 85°C


 **NOTE:** Only the Tesla Remote Meter accessories are compatible with Tesla Remote Meter. Do not attempt to use Neuroio meter accessories, or any other meter accessories, with Tesla Remote Meter.

Figure 2. Tesla 800A CT Dimensions

